

PRE



# Bracket





# MAIN FEATURES

**Material:** PA66 FF30

**Valve fixing:** snap-fit

**Fixing system:** by screw

**Room temperature:** MAX 80°C

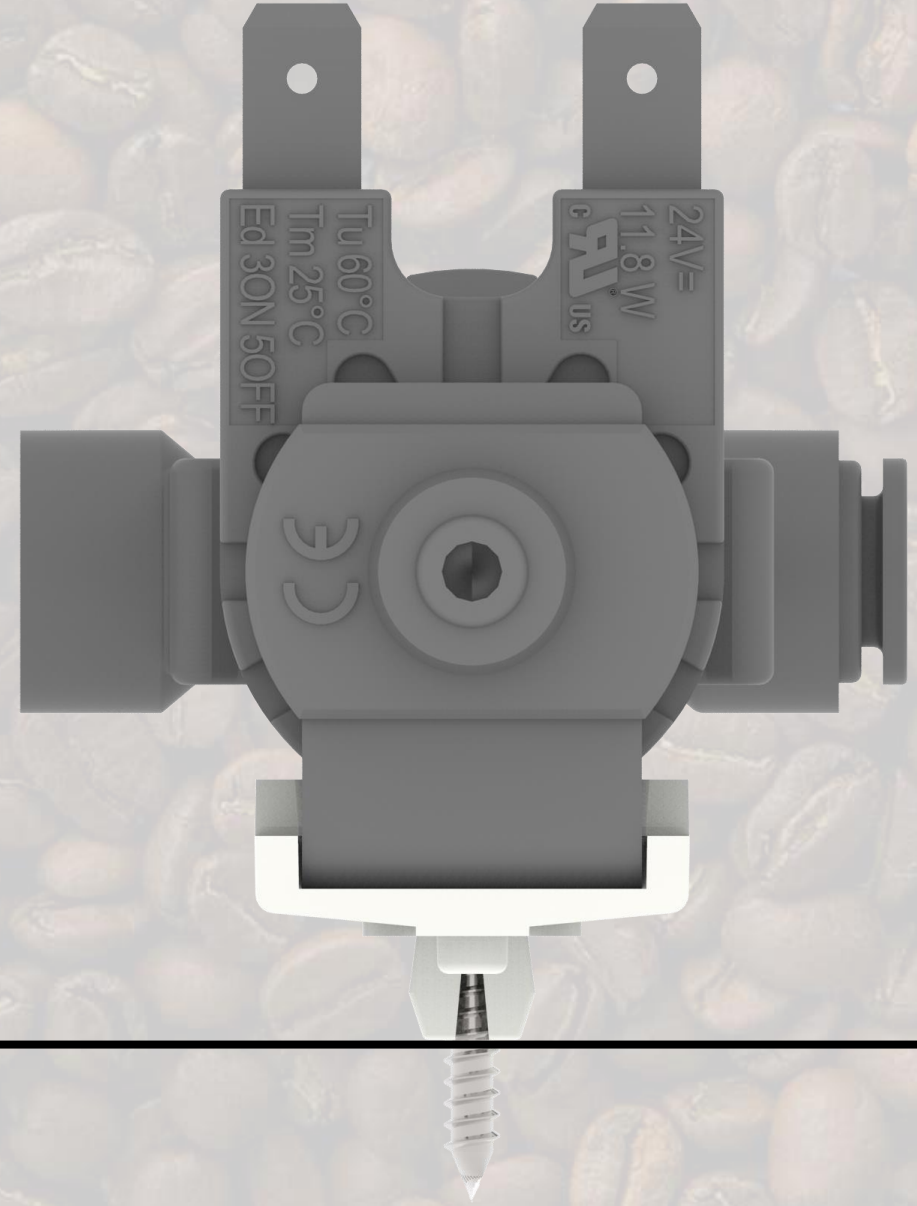
**Compatible with:**

- Steam series
- TV series
- 3/2 way series





# ASSEMBLY

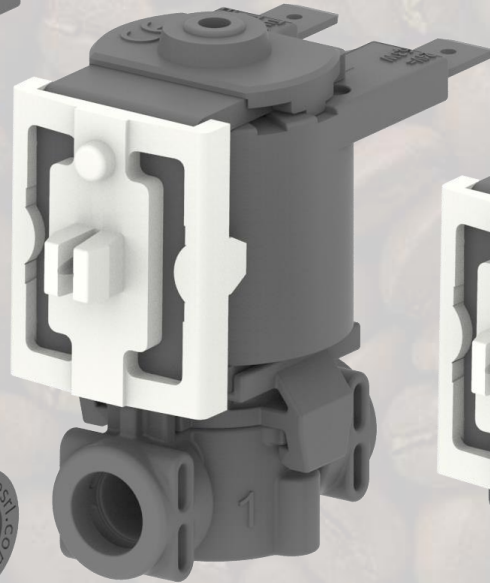




# COMPATIBLE VALVES



**3/2 WAY**



**TV**



**STEAM**



# THANKS

Nothing great  
has ever been done  
without passion

